



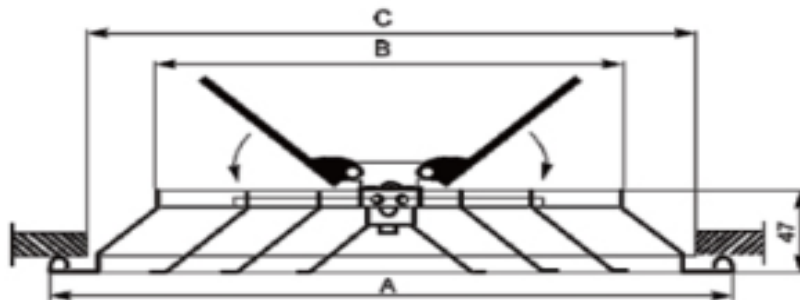
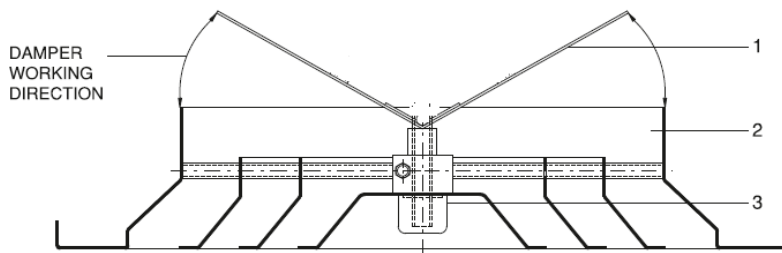
SUBMITAL AND DRAWING
MODEL-CD

REGISTER&GRILLES

PROJECT :
 ENGINEER :
 CONTRACTOR :
 SUBMITTED BY :
 DATE :

CIRCULAR/ROUND CEILING DIFFUSER - CD

- 1-BUTTERFLY DAMPER
- 2-CIRCULAR CEILING DIFFUSER
- 3-DAMPER ADJUST CATCH



CD-RA	A	B	C
150	257	149	225
200	307	199	275
250	357	249	325
300	407	299	375
350	457	349	425