

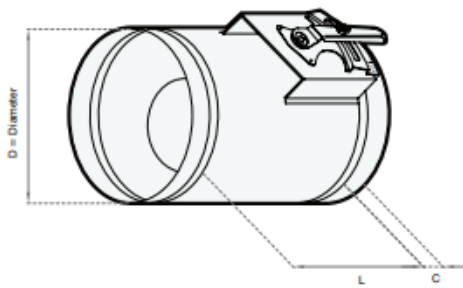


MODEL CCD

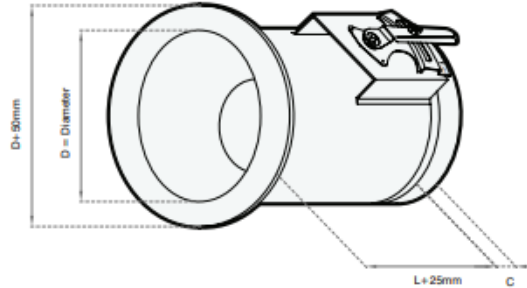
Project:
Tag:
Engineer:
Contractor:
Date:

Circular Control Damper

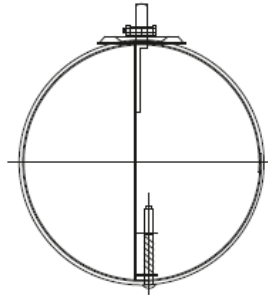
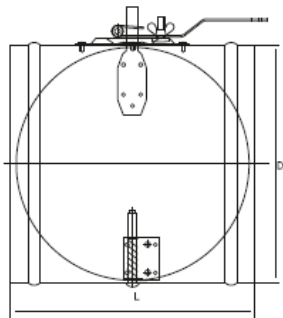
CCD-R



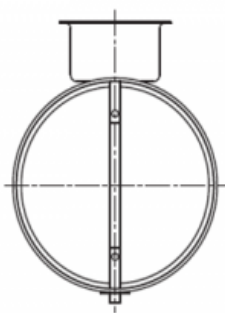
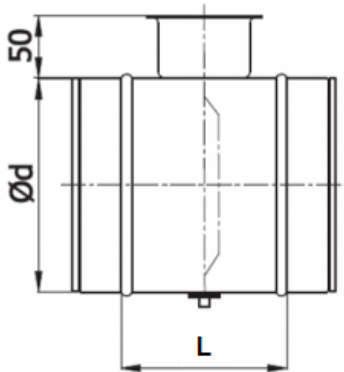
CCD-RF



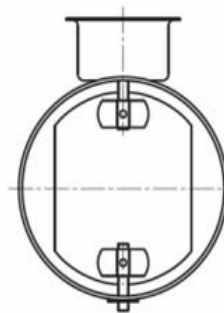
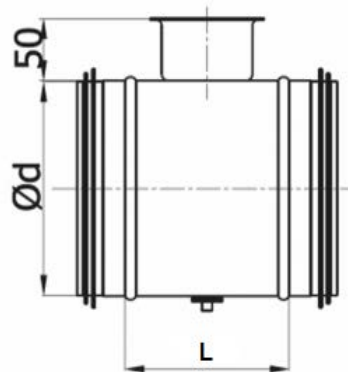
CCD-L



CCD-K



CCD-KC



* all dimensions are mm.

Diameter (D)	Length (L)	C
Up to 150mm	200mm	25mm
Above 150mm	D + 50mm	

As part of our continuous improvement program, we reserve the right to make further improvements without notice.

Date submitted: