

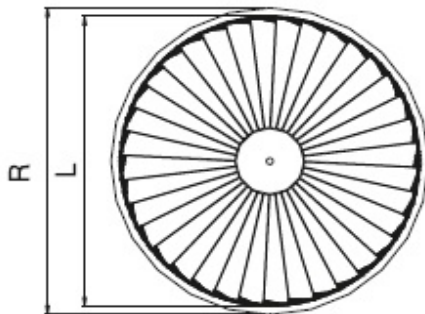
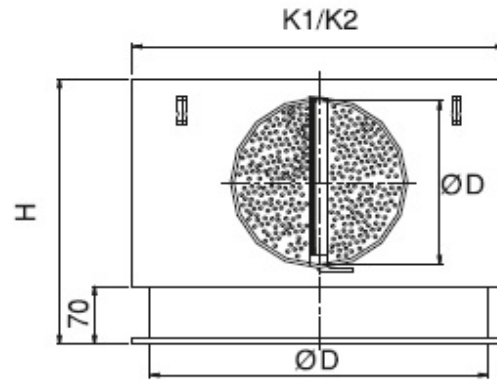
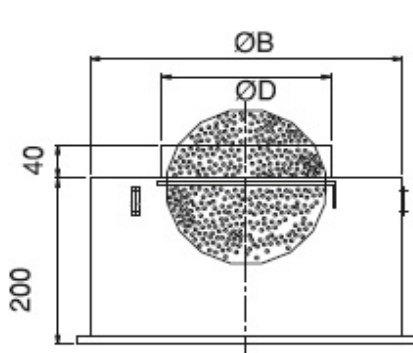


# MODEL TWD226

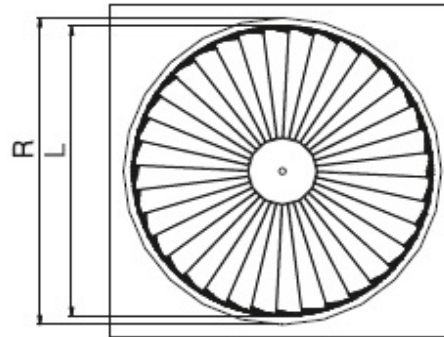
Project:
Tag:
Engineer:
Contractor:
Date:

## TURBULANCE DIFFUSERS

MODEL	B	D	H	K1	K2	L	Q	R
400	364	198	300	435	446	350	398	400
500	364	198	300	435	446	350	498	500
600	559	248	350	620	631	538	598	600
625	559	248	350	620	631	538	623	623



TWD226R



TWD226K

AVAILABLE FINISHES

STANDART FINISH:

01 WHITE (RAL 9016)

OPTIONAL FINISH (NO EXTRA CHARGE):

06 MILL FINISH       02 WHITE (RAL 9010)

OPTIONAL FINISH (ADDITIONAL CHARGE):

03 SATIN SILVER       07 CUSTOM COLOR/ SETUP CHARGE

04 ANODIZED       08 RAL...../ SETUP CHARGE

05 BLACK

As part of our continuous improvement program, we reserve the right to make further improvements without notice.

Date submitted: