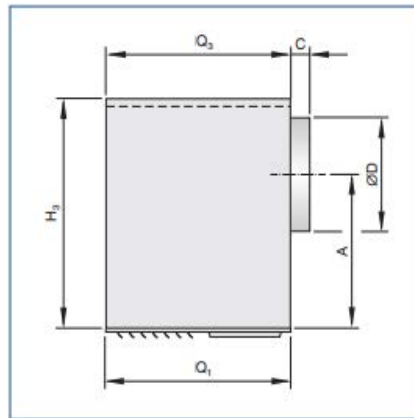




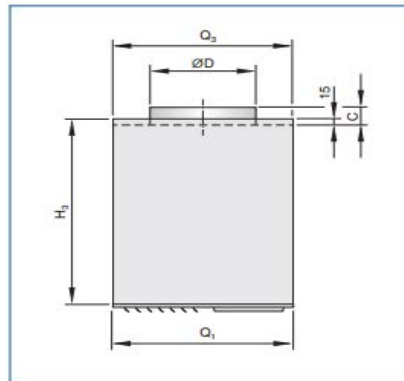
MODEL VD

Project:
Tag:
Engineer:
Contractor:
Date:

MULTI DIRECTIONAL DIFFUSERS



Nominal size	Q ₁	Q ₃	H ₃	ØD	A	C	m
	mm	mm	mm	mm	mm	mm	kg
425	425	425	500	248	335	46	11
600	595	600	550	313	353	48	19
775	763	775	750	448	498	60	34
1050	1043	1050	800	498	523	60	57



Nominal size	Q ₁	Q ₃	H ₃	ØD	C	m
	mm	mm	mm	mm	mm	kg
425	425	425	500	248	46	11
600	595	600	550	313	48	19
775	763	775	550	448	60	29
1050	1043	1050	600	498	60	51

AVAILABLE FINISHES

STANDART FINISH:

01 WHITE (RAL 9016)

OPTIONAL FINISH (NO EXTRA CHARGE):

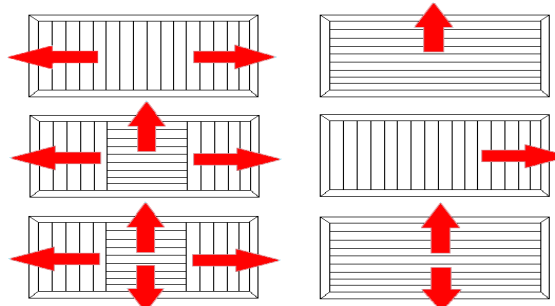
06 MILL FINISH 02 WHITE (RAL 9010)

OPTIONAL FINISH (ADDITIONAL CHARGE):

03 SATIN SILVER 07 CUSTOM COLOR/ SETUP CHARGE

04 ANODIZED 08 RAL...../ SETUP CHARGE

05 BLACK



As part of our continuous improvement program, we reserve the right to make further improvements without notice.

Date submitted: