

## LOW AIR FLOW, WALL TYPE AXIAL FAN



## GMC AXF-605:

Wall mounted axial fan

### Application

- Suitable for medium and small volumes
- Used in public premises, warehouses, industrial units

### Composition

- IP 42 motors, class B, with thermal protector, connection lead incorporated
- Epoxy-painted aluminium plate impellers
- Size 400: thermoplastic impellers, motor IP 65, class F
- Frame made of thermoplastic plus fiberglass
- Zinc and chrome-covered grid
- Working temperature from -30°C to 70°C
- Air direction: Motor impeller

### Text for tender

- Wall mounted axial fan. Suitable for medium and small volumes. Used in public premises, warehouses, industrial units.

### Order example

- AXF-605: Mk.250

250 = Impeller nominal diameter

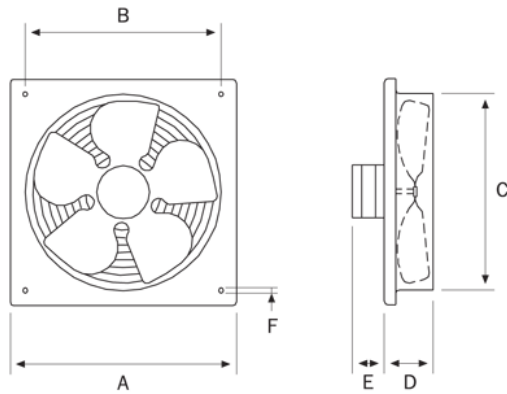
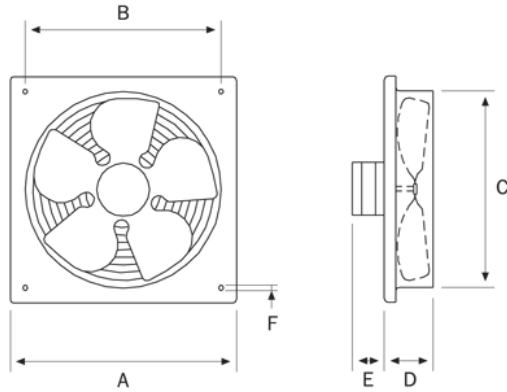


# LOW AIR FLOW, WALL TYPE AXIAL FAN



## Air Performance Data

Model	Qv [m3/h]					
	0 Pa	20 Pa	40 Pa	60 Pa	80 Pa	100 Pa
Mk. 200	550	480	-	-	-	-
250	890	800	500	-	-	-
300	1390	1300	1100	500	-	-
350	1840	1800	1650	1250	500	-
400	2840	2800	2650	2250	2000	1500



## Dimensions

Model	A [mm]	B [mm]	C [mm]	D [mm]	E [mm]	F [mm]	Kg
Mk. 200	266	222	212	35	50	8	1
250	333	275	265	60	50	8.25	1.20
300	400	336	314	80	55	8.25	2
350	465	390	366	90	80	8.25	4
400	500	420	416	100	90	8.25	6