

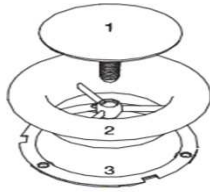


SUBMITAL AND DRAWING  
MODEL-PDV

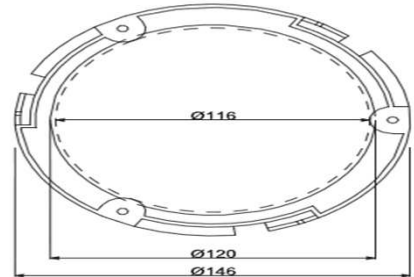
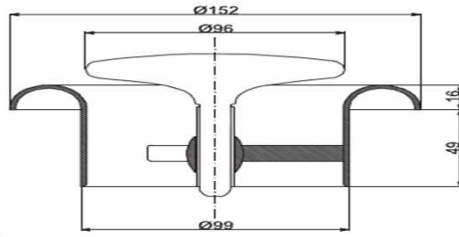
REGISTER&GRILLES

PROJECT : .....  
 ENGINEER : .....  
 CONTRACTOR : .....  
 SUBMITTED BY : .....  
 DATE : .....

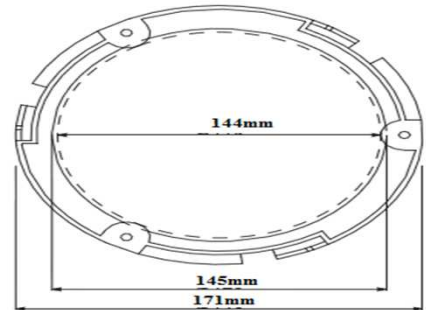
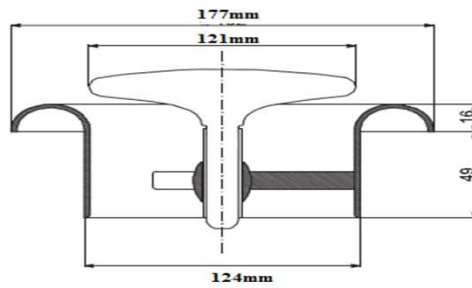
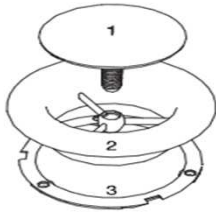
Ø100mm - 4"



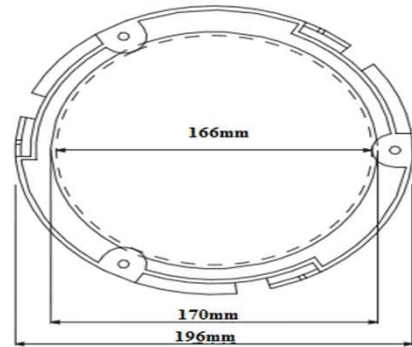
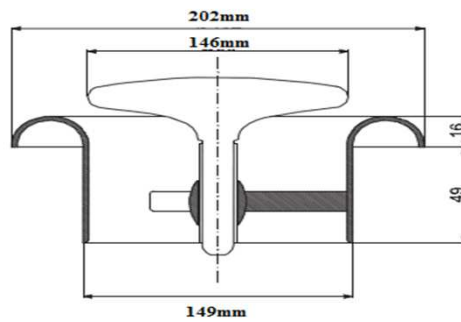
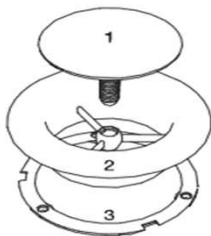
- 1. Cover
- 2. Body
- 3. Mounting Bracelet



Ø125mm - 5"



Ø150mm - 6"



Ø200mm - 8"

