

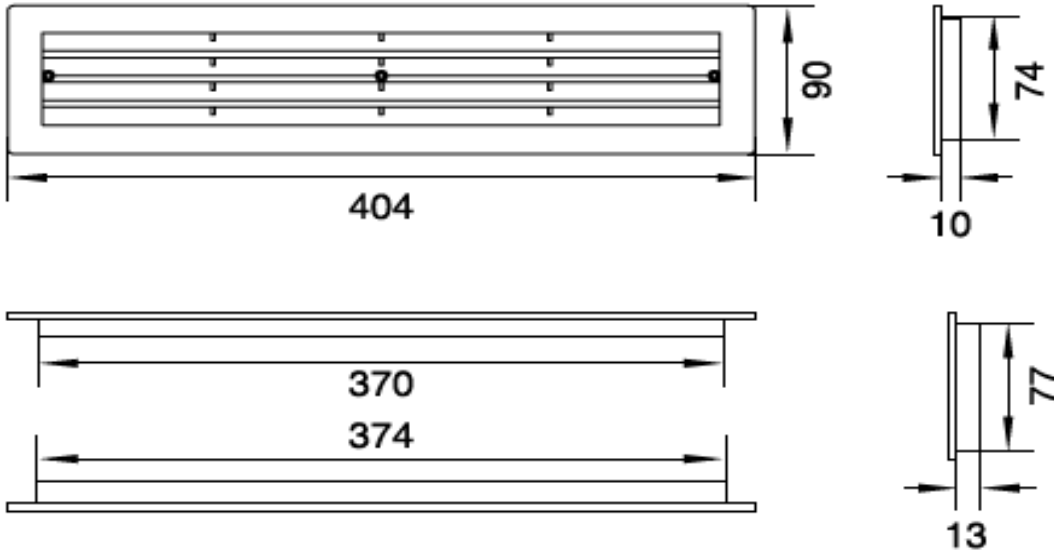


SUBMITAL AND DRAWING
MODEL-1PG

REGISTER&GRILLES

PROJECT :
ENGINEER :
CONTRACTOR :
SUBMITTED BY :
DATE :

400x90mm PKM



300x80mm PKM

