

DESCRIPTION:

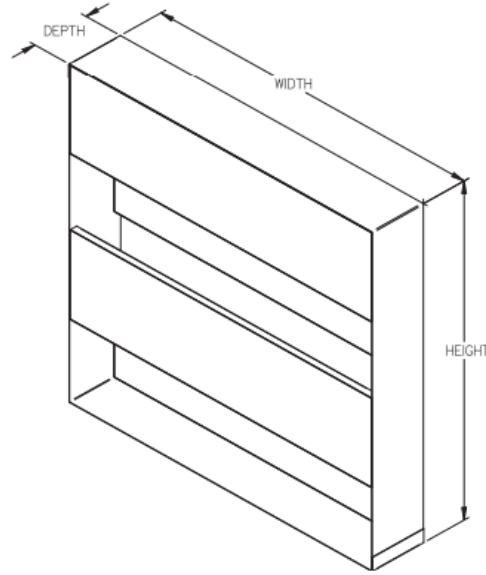
The special design of the Return Grille Silencer (RGS) provides an innovative solution for reducing plenum noise entering occupied spaces through return air silencer openings and mechanical equipment noise transmission through transfer grilles.

The slim design of the RGS ensures seamless integration with standard transfer grilles and is ideal for return systems that use ceiling or wall space as the return plenum, such as mechanical equipment rooms, conference rooms, cinema and offices.

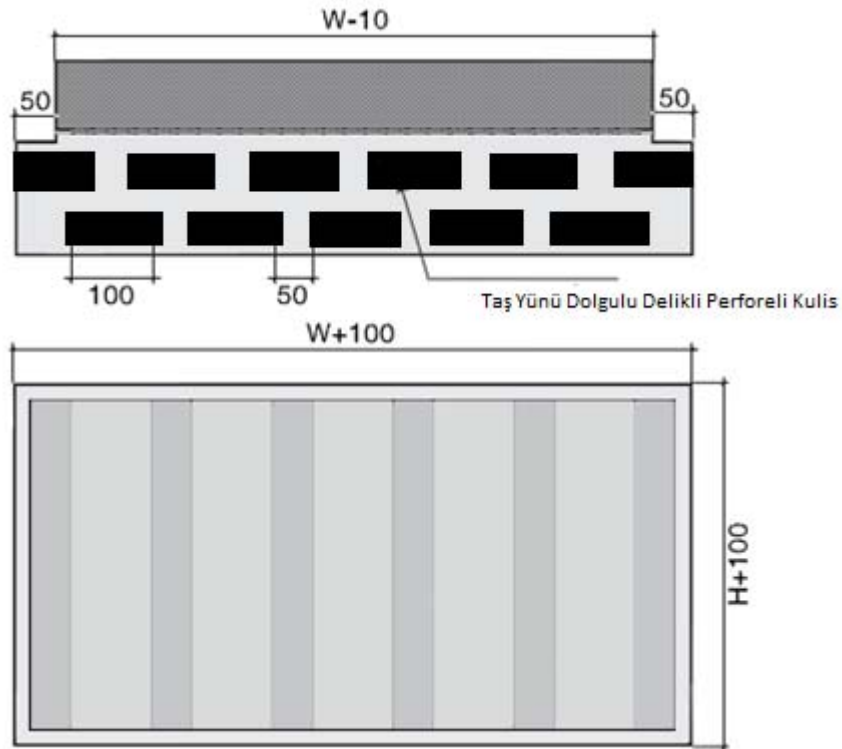
SOUND PERFORMANCE

Designed for return air applications, the aerodynamically designed internal geometry of RGS silencers allows return air to flow through with minimal pressure drop. This low velocity silencer provides the highest insertion loss levels across the full range of frequencies and is best suited to applications with velocities below 800 fpm.

STANDARD SIZES :

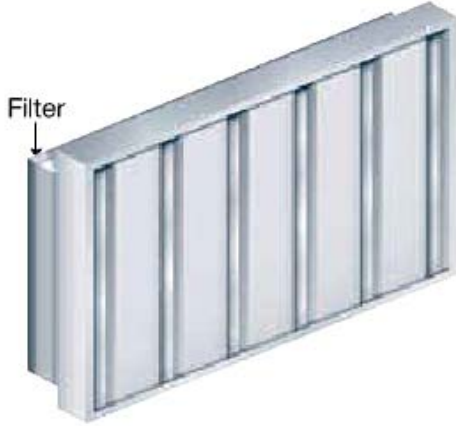


WIDTH = Min : 150mm - Maksimum:1250mm
HEIGHT = Min : 150mm - Maksimum: 1250mm
STANDARD DEPTH : Min: 100mm

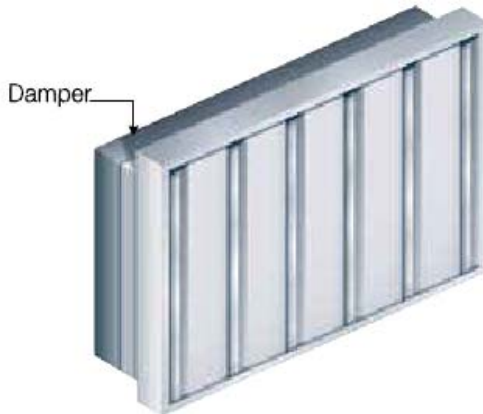


EK OPSİYONLAR

with filter and bird screen



with damper and bird screen



with damper,filter and bird screen



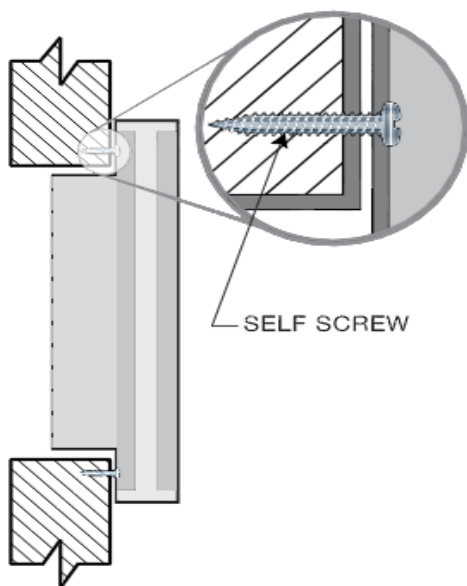
Effective Pressure Areas in m2

Height in mm	Width in mm													
	300	350	400	450	500	550	600	650	700	750	800	850	900	1000
300	0.038	0.049	0.055	0.063	0.069	0.077	0.084	0.091	0.098	0.105	0.111	0.119	0.125	0.139
350	0.049	0.057	0.065	0.073	0.082	0.089	0.097	0.106	0.1114	0.122	0.13	0.138	0.147	0.163
400	0.055	0.065	0.074	0.084	0.093	0.102	0.111	0.121	0.13	0.14	0.148	0.158	0.167	0.186
450	0.063	0.073	0.084	0.094	0.105	0.115	0.125	0.136	0.146	0.156	0.167	0.178	0.188	0.209
500	0.069	0.082	0.093	0.105	0.116	0.128	0.139	0.152	0.163	0.175	0.186	0.198	0.209	0.23
550	0.077	0.089	0.102	0.115	0.128	0.14	0.153	0.166	0.179	0.191	0.204	0.218	0.23	0.256
600	0.084	0.097	0.111	0.125	0.139	0.153	0.167	0.181	0.195	0.209	0.223	0.237	0.251	0.279
650	0.091	0.106	0.121	0.136	0.152	0.166	0.181	0.196	0.212	0.227	0.242	0.257	0.272	0.302
700	0.098	0.114	0.13	0.146	0.163	0.179	0.195	0.212	0.228	0.244	0.26	0.277	0.293	0.325
750	0.105	0.122	0.14	0.156	0.175	0.191	0.209	0.227	0.244	0.261	0.279	0.296	0.314	0.349
800	0.11	0.13	0.148	0.167	0.186	0.204	0.223	0.242	0.26	0.279	0.297	0.316	0.335	0.372
850	0.119	0.138	0.158	0.178	0.197	0.217	0.237	0.257	0.277	0.296	0.316	0.335	0.356	0.395
900	0.125	0.147	0.167	0.188	0.209	0.23	0.251	0.272	0.293	0.314	0.335	0.356	0.376	0.418
1000	0.139	0.163	0.186	0.21	0.23	0.256	0.279	0.302	0.325	0.349	0.372	0.395	0.418	0.464

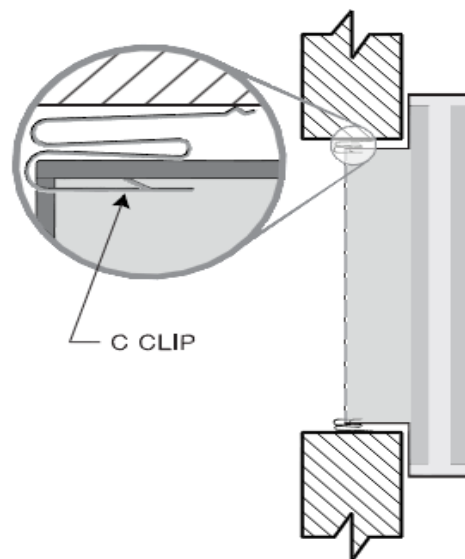
Note: Effective pressure areas for non standard size can be interpolated from the above data

INSTALLATION DETAILS

Screw installation

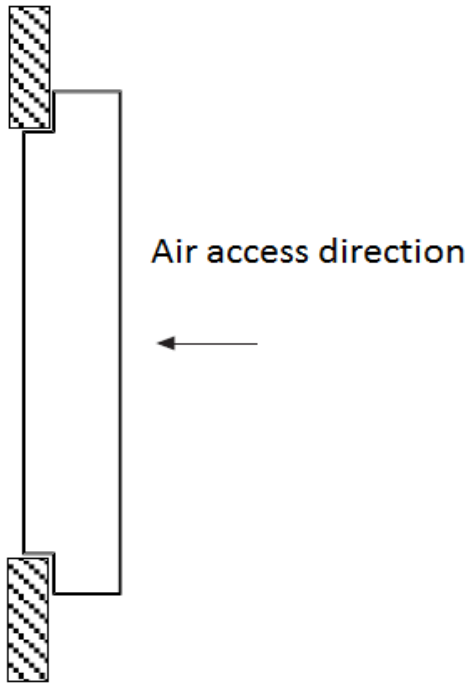


Concealed Clip installation

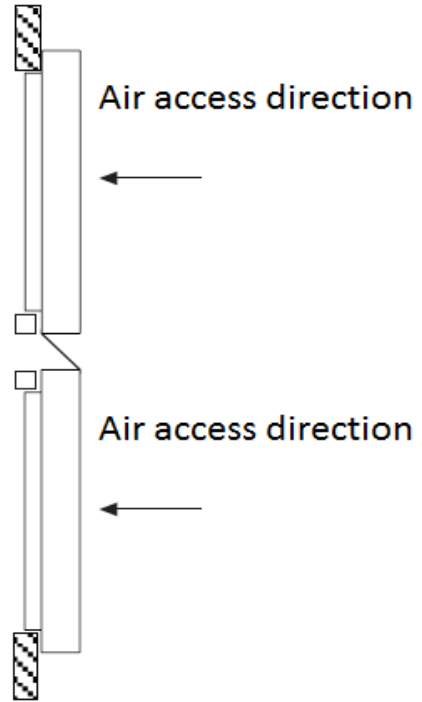




Details-1



SINGLE MOUNTING



MULTI-MOUNTING

Details-2

**7 RGS – Return Grille with Silencer
Transfer Grille with Silencer**



ORDER CODE

RGS	A	F25	00	RAL9016	SM	N 300X300
G: Galvanised A: Aluminum S: Stainless Steel		F25: Frame=25 mm F30: Frame=30 mm		00: No Mounting SM: Screw Mounting CC: Concealed Clip installation		N: Neck Size (WxH)
						00: no additional 01: Just wire Screen - 05: with wire screen and filter 02: just with filter - 06: with wire screen and damper 03: just with damper - 07: with wire screen, damper 04: with filter and damper and filter