



# SUBMITTAL AND DRAWING MODEL- SRG

PROJECT : .....  
 ENGINEER : .....  
 CONTRACTOR : .....  
 SUBMITTED BY : .....  
 DATE : .....

## REGISTER&GRILLES

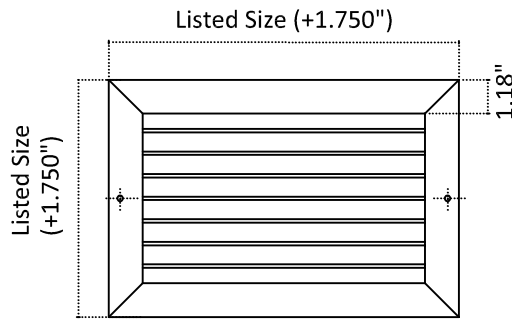
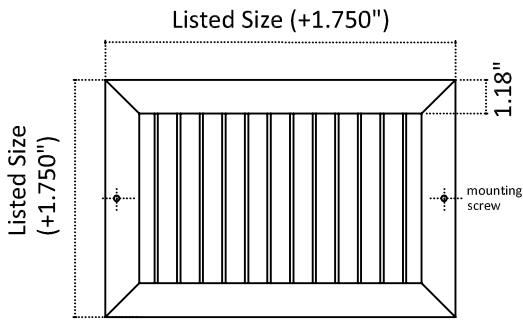
Bar Type Supply

Side wall/ Ceiling

MATERIAL : Stainless Steel  
 FACE : Adjustable Bar Type  
 MODEL SIZE : .....

SRGV- VERTICAL BLADES

SRGH- HORIZONTAL BLADES



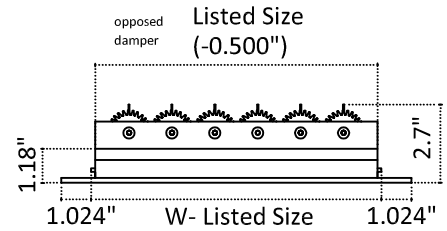
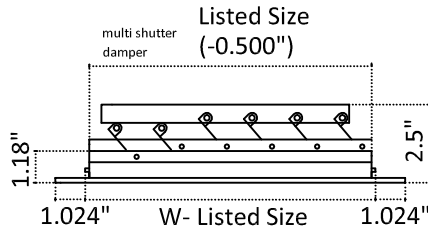
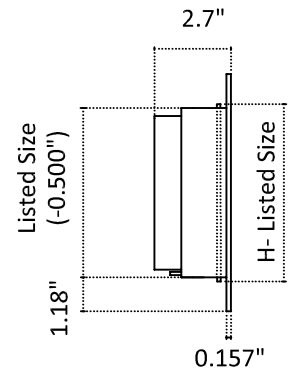
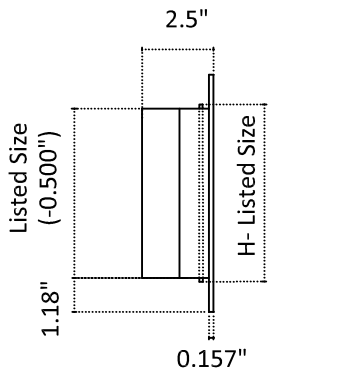
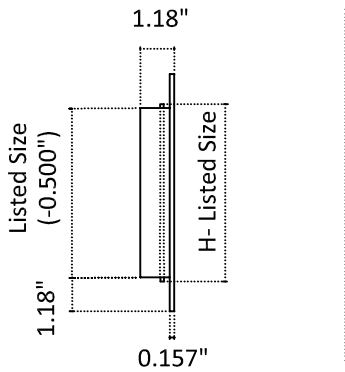
- WD- NO DAMPER
- MD- MULTI SHUTTER DAMPER
- OD- OPPOSED BLADE DAMPER

- MOUNTING TYPE:
- M0- NON- MOUNTING
  - M1- SCREW
  - M2- CLIPS
  - M3- SPRING

WD- NO DAMPER

MD- MULTI SHUTTER DAMPER

OD- OPPOSED BLADE DAMPER



TIP: Measure the duct opening, not the register or grille

AVAILABLE LISTED SIZE (WxH)	QUANTITY
<input type="checkbox"/>	.....
<input type="checkbox"/>	.....
<input type="checkbox"/>	.....
<input type="checkbox"/>	.....
<input type="checkbox"/>	.....
<input type="checkbox"/>	.....
<input type="checkbox"/>	.....
<input type="checkbox"/>	.....

AVAILABLE LISTED SIZE (WxH)	QUANTITY
<input type="checkbox"/>	.....
<input type="checkbox"/>	.....
<input type="checkbox"/>	.....
<input type="checkbox"/>	.....
<input type="checkbox"/>	.....
<input type="checkbox"/>	.....
<input type="checkbox"/>	.....
<input type="checkbox"/>	.....