



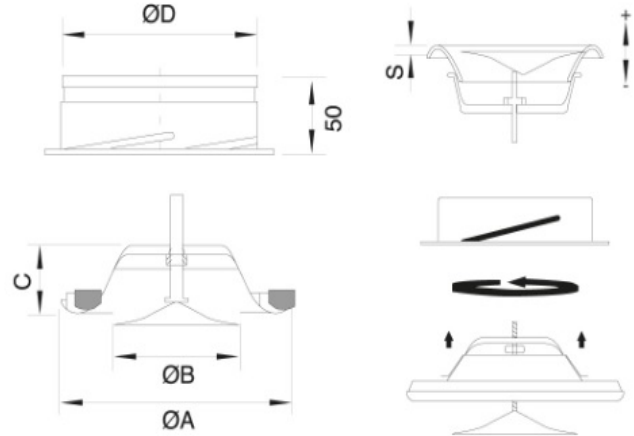
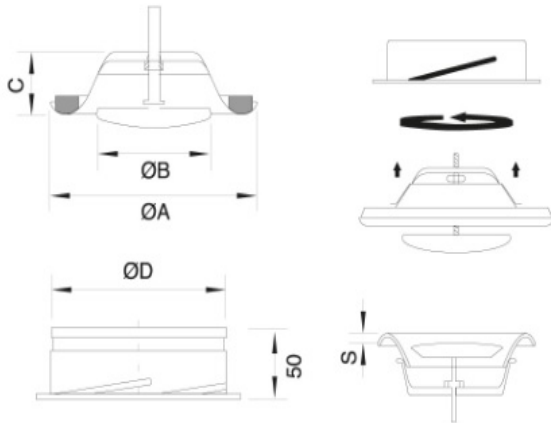
MODEL DV

Project:
Tag:
Engineer:
Contractor:
Date:

METAL DISC VALVE

DV122-R RETURN DISC VALVE

DV122-S SUPPLY DISC VALVE



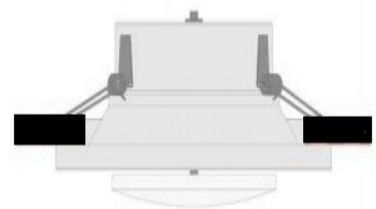
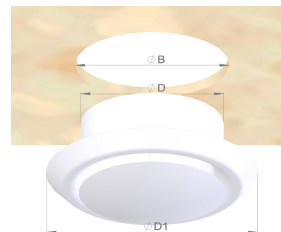
Return Disc Valve (Metal)	A	B	C	D
Diameter : 100mm	138	75	40	97,5
Diameter : 125mm	164	100	46	122,5
Diameter : 150mm	202	120	50	147,5
Diameter : 160mm	211	130	54	157,5
Diameter : 200mm	248	158	63	197,5

Supply Disc Valve (Metal)	A	B	C	D
Diameter : 100mm	138	92	40	97,5
Diameter : 125mm	164	111	46	122,5
Diameter : 150mm	202	135	50	147,5
Diameter : 160mm	211	147	54	157,5
Diameter : 200mm	248	194	63	197,5

Installation Type

Hide Screw (Standard)

Spring



AVAILABLE FINISHES

STANDART FINISH:

01 WHITE (RAL 9016)

OPTIONAL FINISH (NO EXTRA CHARGE):

06 MILL FINISH 02 WHITE (RAL 9010)

OPTIONAL FINISH (ADDITIONAL CHARGE):

03 SATIN SILVER 07 CUSTOM COLOR/ SETUP CHARGE

04 ANODIZED 08 RAL...../ SETUP CHARGE

05 BLACK

As part of our continuous improvement program, we reserve the right to make further improvements without notice.

Date submitted: