

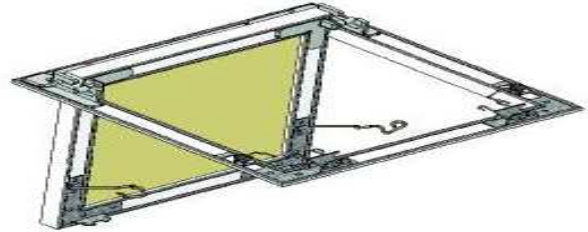
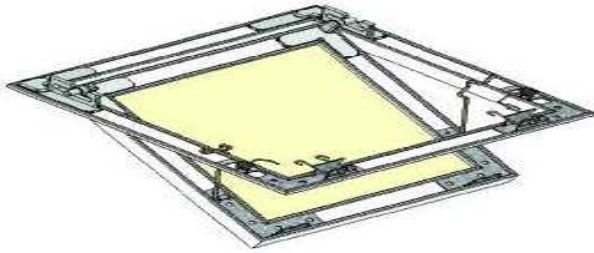


SUBMITAL AND DRAWING  
MODEL-TMK

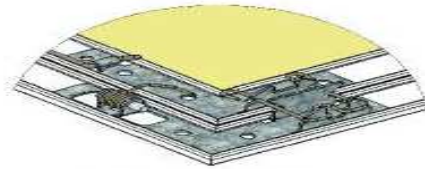
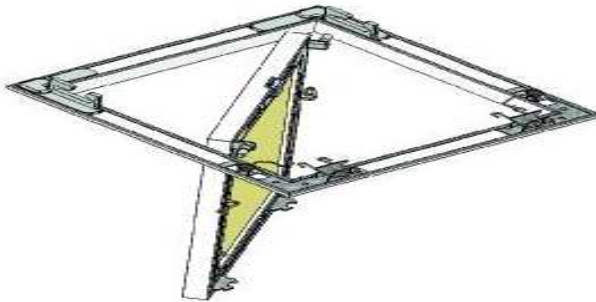
REGISTER&GRILLES

PROJECT : .....  
ENGINEER : .....  
CONTRACTOR : .....  
SUBMITTED BY : .....  
DATE : .....

TOUCH-OPERATED DRYWALL ACCESS PANEL



MAXIMUM MEASURING 80X80



SPRING LOCKING SYSTEM

