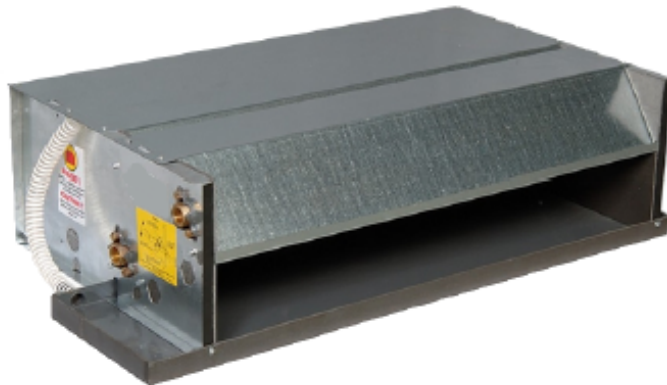
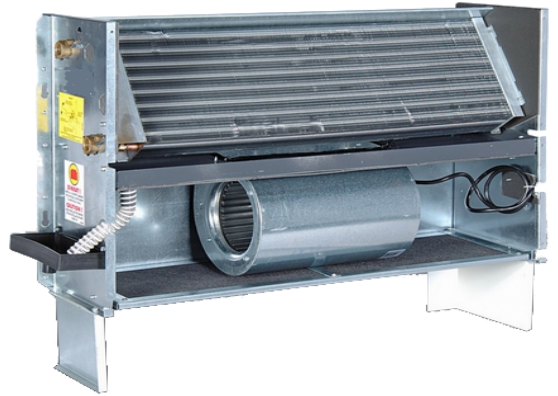


Fan Coil Units

- Ceiling Concealed Types
- Cabinet Types



HOME COMFORT EVERYWHERE!

GMCAIR, the HVAC expert, offers sustainable energy saving while bringing the most recent air conditioning technologies into the modern life. Green Line labeled fan coil units provides the comfort of home in all kinds of living environments by producing solutions and promoting sustainable systems in terms of energy productivity without sacrificing from comfort.

Distinctive Technology

Gmcair fan coil units offers just-in-time delivery based on its lean production philosophy. Due to its unique design and the most recent manufacturing technology, fan coil units are low noise, compact, easy to install as well as having aesthetic appearance.

All capacity and electrical tests are carried out at Fan Coil Test and Research Laboratories according EN1397, ANSI-ASHRAE79, ANSI-AHRI440 and ANSI-AMCA210 standards.

- Ideal room temperature and indoor air quality for all seasons
- Wide and versatile production options
- Advanced electronic control options
- Low energy consumption and high comfort
- Outstanding safety and high quality





Fan Coil Units

Series	Type	Version	Model	Connection
GFC	GMT: Ceiling Concealed Type	2Y: 2-Pipe Up to 60 Pa 4Y: 4-Pipe Up to 60 Pa		L: Left Connection R: Right Connection
	GMA: Ceiling Concealed Type	2D: 2-Pipe Up to 40 Pa 4D: 4-Pipe Up to 40 Pa		
	AE: Cabinet Floor Type	2B: 2-Pipe 4B: 4-Pipe		
	AT: Cabinet Floor Type			
	AD: Floor Type without Cabinet			

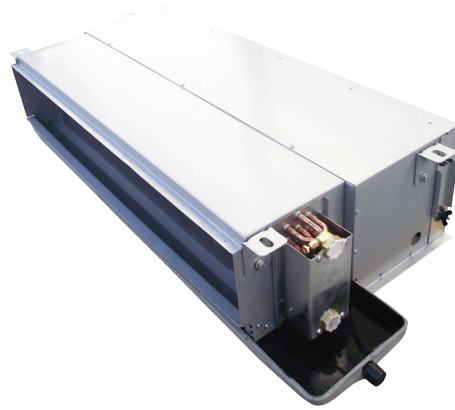
		
GMT: Ceiling concealed type, rear inlet and front supply	GMA: Ceiling concealed type, bottom inlet and front supply	
		
AE: Cabinet floor type, bottom inlet and top supply (Feet are optional)	AT: Cabinet floor type, front inlet and top supply	AD: Floor type without cabinet, bottom inlet and top supply

GFC Series Ceiling Concealed Type

 Cooling capacity: 1,40-11,28 kW

 Heating capacity: 3,66-35,92 kW

- Ideal temperature and indoor air quality for all seasons
- Wide and versatile production options
- Advanced electronic control options
- Low energy consumption and high comfort
- Outstanding reliability and high quality
- Eurovent certified series
- Capacity testing facility at Fan Coil test laboratory



Structural features

- Produced from high zinc ratio corrosion resistant galvanized sheet.
- High energy efficient and silent radial fans (230V-1ph-50Hz)
- Easy access for service and cleaning due to mesh filters.
- Specially designed waterproof terminal box are used for electrical connections.
- Coils are produced from high efficient, seamless copper pipe and aluminum fins. Each coil is installed in factory after test at 20 bar pressure.
- Special drip pan is used underneath the coil that prevents air leak and allows the transfer of condensed water into the drain pan.
- Drain pan is enameled with high protection specification and self-insulated.
- Additional drip pan, made up of ABS material, are used in order to prevent dripping at the coil and valve connection.

Types

- GMT : Ceiling concealed type, rear inlet and front supply
- GMA : Ceiling concealed type, bottom inlet and front supply

Versions

- 2Y : 2-Pipe Up to 60 Pa
- 4Y : 4-Pipe Up to 60 Pa
- 2D : 2-Pipe Up to 40 Pa
- 4D : 4-Pipe Up to 40 Pa

Options / Accessories

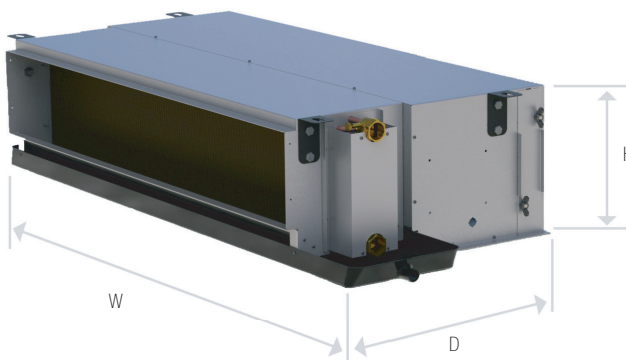
- Additional heating coil for 4-Pipe systems
- Electrical heating coil
- 2-way valves and actuators (Supplied loose)
- 3-way valves and actuators (Supplied loose)
- Room thermostat
- Digital room thermostat



GFC Series		GMT - GMA TYPES 2-PIPE											
		2Y	015	020	025	030	035	040	050	060	070	080	100
Technical Specifications													
❶ Total Cooling Capacity	kW	1,45	2,18	2,59	2,98	4,28	4,62	5,23	6,37	6,90	8,11	9,45	11,28
❶ Sensible Cooling Capacity	kW	1,23	1,56	1,89	2,37	3,11	3,38	3,74	4,54	4,97	5,87	6,91	8,26
❷ Heating Capacity	kW	4,13	5,01	6,06	7,53	9,88	10,55	11,62	14,01	15,48	18,36	21,75	25,92
❸ Heating Capacity	kW	5,47	6,76	8,15	10,02	13,30	14,17	15,67	18,88	20,86	24,68	29,23	34,80
Airflow (High Speed)	m³/h	394	378	481	822	787	880	918	1.117	1.236	1.519	1.767	2.165
Airflow (Medium Speed)	m³/h	320	309	381	678	655	730	759	929	1.016	1.265	1.467	1.834
Airflow (Low Speed)	m³/h	183	177	228	408	395	498	519	525	669	719	1.001	1.006
Dimensions													
Height (H)	mm	235	235	235	235	235	235	235	235	235	235	235	235
Width (W)	mm	685	685	685	965	965	965	1.100	1.185	1.355	1.405	1.745	1.830
Depth (D)	mm	480	480	480	480	480	480	480	480	480	480	480	480
Weight	kg	13,9	14,7	14,8	20,1	21,2	21,3	24,3	25,7	31,8	33,0	40,3	42,4
Fluid Data													
❶ Water Flowrate (Cooling)	l/h	255	381	453	522	745	806	911	1.114	1.203	1.417	1.648	1.970
❶ Water Side Pressure Drop	kPa	3,3	10,0	13,8	16,6	15,8	18,2	25,5	39,3	24,4	33,9	21,1	30,7
❷ Water Flowrate (Heating)	l/h	359	436	528	656	862	920	1.014	1.222	1.351	1.601	1.898	2.261
❷ Water Side Pressure Drop	kPa	5,0	10,7	15,2	20,5	16,8	18,9	25,1	37,6	24,3	34,3	22,5	32,5
Water Content	l	0,75	1,05	1,05	1,06	1,52	1,52	1,75	1,89	2,18	2,26	2,83	3,03
❹ Sound Level													
Sound Pressure Level (High)	dBA	40	40	45	45	45	47	47	48	48	50	51	52
Sound Pressure Level (Med)	dBA	36	36	40	40	40	41	41	43	43	45	46	47
Sound Pressure Level (Low)	dBA	34	28	32	29	31	35	34	35	36	39	37	39
Installation Data													
Coil In/Out Diameter	inch	3/4	3/4	3/4	3/4	3/4	3/4	3/4	3/4	3/4	3/4	3/4	3/4
Drain Pipe Diameter	inch	3/4	3/4	3/4	3/4	3/4	3/4	3/4	3/4	3/4	3/4	3/4	3/4
Absorbed Power													
Absorbed Power (Cooling) High Speed	W	42	45	56	77	72	83	88	131	113	152	169	207
Absorbed Power (Cooling) Medium Speed	W	36	39	48	72	68	76	80	123	102	143	154	196
Absorbed Power (Cooling) Low Speed	W	27	30	37	56	55	65	66	85	85	122	124	160

*All data given in the table is at 30 Pa external static pressure.

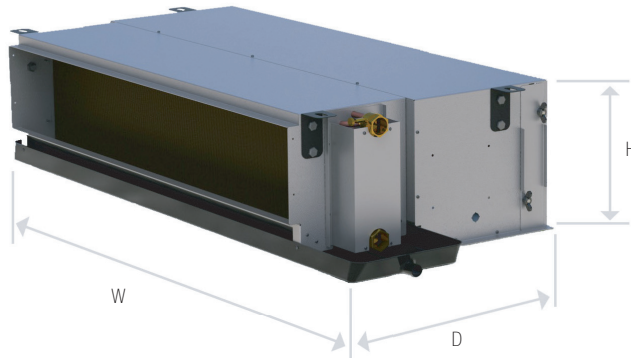
- ❶ Values are at high speed, 27 °C DB 50 % RH room conditions and 7/12 °C in/out water temperatures.
- ❷ Values are at high speed, 20 °C DB room conditions and 70/60 °C in/out temperatures.
- ❸ Values are at high speed, 20 °C DB room conditions and 90/70 °C water in/out temperatures.
- ❹ Sound pressure levels are measured at 1 mt. distance from the tested unit and Q: 1.



GFC Series	GMT - GMA TYPES 4-PIPE												
	4Y	015	020	025	030	035	040	050	060	070	080	100	110
Technical Specifications													
❶ Total Cooling Capacity	kW	1,41	2,13	2,53	3,28	4,21	4,57	5,12	6,19	6,76	7,37	9,26	10,95
❶ Sensible Cooling Capacity	kW	1,20	1,53	1,85	2,60	3,06	3,35	3,66	4,42	4,86	5,32	6,76	7,98
❷ Additional Coil Heating Capacity	kW	2,67	2,74	3,17	5,17	5,27	5,66	6,26	7,39	8,10	8,59	11,60	13,36
❸ Heating Capacity	kW	3,49	3,58	4,12	6,79	6,93	7,43	8,24	9,73	10,60	11,23	15,23	17,56
Airflow (High Speed)	m³/h	381	367	467	791	757	854	891	1.100	1.198	1.451	1.718	2.066
Airflow (Medium Speed)	m³/h	311	299	373	657	635	708	739	922	983	1.234	1.425	1.799
Airflow (Low Speed)	m³/h	177	172	224	396	384	480	504	650	693	967	967	968
Dimensions													
Height (H)	mm	235	235	235	235	235	235	235	235	235	235	235	235
Width (W)	mm	685	685	685	965	965	965	1.100	1.185	1.355	1.405	1.745	1.830
Depth (D)	mm	480	480	480	480	480	480	480	480	480	480	480	480
Weight	kg	15,2	17,0	15,7	21,5	23,3	22,3	25,8	27,4	33,6	34,5	42,6	45,6
Fluid Data													
❶ Water Flowrate (Cooling)	l/h	249	372	443	575	733	797	892	1.079	1.177	1.286	1.616	1.910
❶ Water Side Pressure Drop	kPa	3,1	9,6	13,3	19,7	15,3	17,8	24,6	37,1	23,4	28,4	20,3	29,0
❷ Water Flowrate (Heating)	l/h	231	237	273	447	456	490	542	639	702	741	1.003	1.155
❷ Water Side Pressure Drop	kPa	8,0	8,3	10,9	35,8	37,1	42,4	56,9	82,2	18,2	24,0	42,4	58,0
Water Content (Cooling)	l	0,75	1,05	1,05	1,06	1,52	1,52	1,75	1,89	2,18	2,26	2,83	3,03
Water Content (Heating)	l	0,38	0,38	0,38	0,54	0,54	0,54	0,61	0,66	0,76	0,79	0,98	1,04
❶ Sound Level													
Sound Pressure Level (High)	dBA	40	40	45	45	45	47	47	48	48	50	51	52
Sound Pressure Level (Med)	dBA	36	36	40	40	40	41	41	43	43	45	46	47
Sound Pressure Level (Low)	dBA	24	28	32	29	31	35	34	35	36	39	37	39
Installation Data													
Coil In/ Out Diameter (Cooling Coil)	inch	3/4	3/4	3/4	3/4	3/4	3/4	3/4	3/4	3/4	3/4	3/4	3/4
Coil In/ Out Diameter (Additional Heating Coil)	inch	1/2	1/2	1/2	1/2	1/2	1/2	1/2	1/2	1/2	1/2	1/2	1/2
Drain Pipe Diameter	inch	3/4	3/4	3/4	3/4	3/4	3/4	3/4	3/4	3/4	3/4	3/4	3/4
Absorbed Power													
Absorbed Power (Cooling) High Speed	W	41	40	52	75	68	79	83	107	105	144	165	196
Absorbed Power (Cooling) Medium Speed	W	35	35	46	69	64	73	77	103	96	139	151	192
Absorbed Power (Cooling) Low Speed	W	28	27	37	54	51	60	63	81	80	115	123	150

*All data given in the table is at 30 Pa external static pressure.

- ❶ Values are at high speed, 27 °C DB 50 % RH room conditions and 7/12 °C in/out water temperatures.
- ❷ Values are at high speed, 20 °C DB room conditions and 70/60 °C in/out temperatures.
- ❸ Values are at high speed, 20 °C DB room conditions and 90/70 °C water in/out temperatures.
- ❹ Sound pressure levels are measured at 1 mt. distance from the tested unit and Q: 1.



GFC Series		GMT - GMA TYPES 2-PIPE											
		2D	015	020	025	030	035	040	050	060	070	080	100
Technical Specifications													
❶ Total Cooling Capacity	kW	1,44	2,19	2,80	3,36	4,27	4,67	5,14	5,90	7,11	7,63	9,33	10,45
❶ Sensible Cooling Capacity	kW	1,23	1,58	2,06	2,67	3,11	3,42	3,67	4,20	5,14	5,49	6,82	7,64
❷ Heating Capacity	kW	4,08	5,01	6,61	8,24	9,74	10,74	11,39	12,95	15,99	17,18	21,39	24,21
❸ Heating Capacity	kW	5,41	6,77	8,87	10,98	13,12	14,44	15,36	17,48	21,53	23,12	28,76	32,52
Airflow (High Speed)	m³/h	395	380	538	814	774	878	895	1.025	1.289	1.392	1.731	2.126
Airflow (Medium Speed)	m³/h	326	312	414	633	615	692	707	802	1.008	1.110	1.361	1.700
Airflow (Low Speed)	m³/h	196	190	235	444	412	458	465	465	606	649	906	1.135
Dimensions													
Height (H)	mm	235	235	235	235	235	235	235	235	235	235	235	235
Width (W)	mm	685	685	685	965	965	965	1.100	1.185	1.355	1.405	1.745	1.830
Depth (D)	mm	480	480	480	480	480	480	480	480	480	480	480	480
Weight	kg	13,8	14,6	14,6	20,0	21,1	21,1	24,0	25,6	31,8	32,1	40,2	42,3
Fluid Data													
❶ Water Flowrate (Cooling)	l/h	252	382	489	586	745	813	895	1.028	1.238	1.334	1.625	1.822
❶ Water Side Pressure Drop	kPa	3,2	10,1	15,9	20,4	15,7	18,5	24,7	34,0	25,7	30,3	20,5	29,3
❷ Water Flowrate (Heating)	l/h	356	438	576	719	851	938	994	1.131	1.396	1.498	1.868	2.113
❷ Water Side Pressure Drop	kPa	5,0	10,7	17,9	24,1	16,4	19,6	24,2	32,6	25,8	30,3	21,8	28,8
Water Content	l	0,75	1,05	1,05	1,06	1,52	1,52	1,75	1,89	2,18	2,26	2,83	3,03
Sound Level													
❹ Sound Pressure Level (High)	dBA	36	36	42	41	40	44	43	45	47	48	48	49
Sound Pressure Level (Med)	dBA	32	32	37	37	36	39	38	40	42	43	42	42
Sound Pressure Level (Low)	dBA	21	24	28	30	29	33	31	31	32	33	32	33
Installation Data													
Coil In/Out Diameter	inch	3/4	3/4	3/4	3/4	3/4	3/4	3/4	3/4	3/4	3/4	3/4	3/4
Drain Pipe Diameter	inch	3/4	3/4	3/4	3/4	3/4	3/4	3/4	3/4	3/4	3/4	3/4	3/4
Absorbed Power													
Absorbed Power (Cooling) High Speed	W	32	35	58	60	68	75	79	91	111	151	149	189
Absorbed Power (Cooling) Medium Speed	W	28	32	47	54	57	57	62	83	101	139	115	171
Absorbed Power (Cooling) Low Speed	W	23	26	36	42	49	46	48	66	82	106	94	138

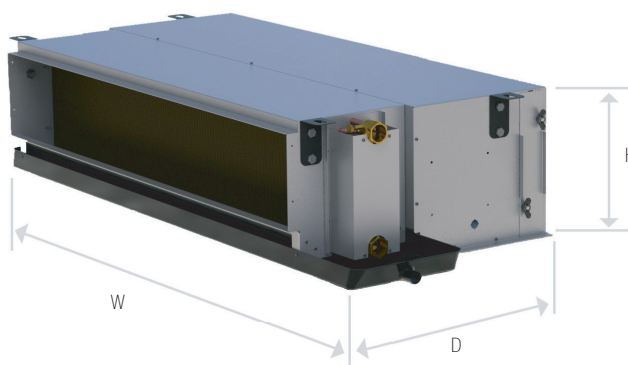
*All data given in the table is at 0 Pa external static pressure.

❶ Values are at high speed, 27 °C DB 50 % RH room conditions and 7/12 °C in/out water temperatures.

❷ Values are at high speed, 20 °C DB room conditions and 70/60 °C in/out temperatures.

❸ Values are at high speed, 20 °C DB room conditions and 90/70 °C water in/out temperatures.

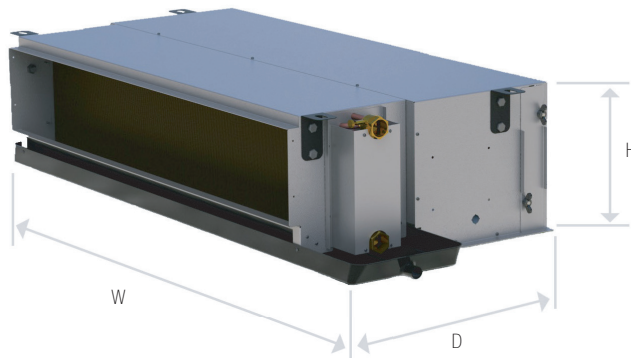
❹ Sound pressure levels are measured at 1 mt. distance from the tested unit and Q: 1.



GFC Series		GMT - GMA TYPES 4-PIPE											
		4D	015	020	025	030	035	040	050	060	070	080	100
Technical Specifications													
❶ Total Cooling Capacity	kW	1,40	2,16	2,71	3,31	4,20	4,53	4,84	5,79	6,85	7,35	9,22	10,76
❶ Sensible Cooling Capacity	kW	1,19	1,56	1,99	2,63	3,05	3,31	3,45	4,11	4,93	5,28	6,71	7,84
❷ Additional Coil Heating Capacity	kW	2,70	2,52	3,55	5,27	5,57	5,96	5,57	7,40	8,74	9,31	10,19	13,87
❸ Additional Coil Heating Capacity	kW	3,53	3,30	4,63	6,93	7,32	7,82	7,34	9,76	11,42	12,18	13,39	18,21
Airflow (High Speed)	m³/h	385	372	513	797	751	841	861	996	1,225	1,317	1,651	2,012
Airflow (Medium Speed)	m³/h	317	304	393	627	598	663	677	782	972	1,067	1,302	1,636
Airflow (Low Speed)	m³/h	192	187	225	429	395	444	450	450	581	621	876	1,102
Dimensions													
Height (H)	mm	235	235	235	235	235	235	235	235	235	235	235	235
Width (W)	mm	685	685	685	965	965	965	1.100	1.185	1.355	1.405	1.745	1.830
Depth (D)	mm	480	480	480	480	480	480	480	480	480	480	480	480
Weight	kg	15,1	16,9	15,5	21,4	23,2	22,1	25,5	27,3	33,6	34,4	42,5	45,5
Fluid Data													
❶ Water Flowrate (Cooling)	l/h	245	376	473	578	729	789	843	1.008	1.195	1.283	1.606	1.875
❶ Water Side Pressure Drop	kPa	3,0	9,8	15,0	19,9	15,1	17,5	22,2	32,8	24,1	28,3	20,1	28,0
❷ Water Flowrate (Heating)	l/h	235	219	307	458	483	516	483	641	756	805	883	1.200
❷ Water Side Pressure Drop	kPa	8,2	7,2	13,4	37,4	41,1	46,5	46,1	82,4	20,8	23,9	33,7	62,1
Water Content (Cooling)	l	0,75	1,05	1,05	1,06	1,52	1,52	1,75	1,89	2,18	2,26	2,83	3,03
Water Content (Heating)	l	0,38	0,38	0,38	0,54	0,54	0,54	0,61	0,66	0,76	0,79	0,98	1,04
❹ Sound Level													
Sound Pressure Level (High)	dBA	36	36	42	41	40	44	43	45	47	48	48	49
Sound Pressure Level (Med)	dBA	32	32	37	37	36	39	38	40	42	43	43	42
Sound Pressure Level (Low)	dBA	21	24	28	30	29	33	31	31	32	33	33	33
Installation Data													
Coil In/Out Diameter (Cooling Coil)	inch	3/4	3/4	3/4	3/4	3/4	3/4	3/4	3/4	3/4	3/4	3/4	3/4
Coil In/Out Diameter (Additional Heating Coil)	inch	1/2	1/2	1/2	1/2	1/2	1/2	1/2	1/2	1/2	1/2	1/2	1/2
Drain Pipe Diameter	inch	3/4	3/4	3/4	3/4	3/4	3/4	3/4	3/4	3/4	3/4	3/4	3/4
Absorbed Power													
Absorbed Power (Cooling) High Speed	W	31	30	56	59	56	71	79	89	117	130	146	179
Absorbed Power (Cooling) Medium Speed	W	27	26	45	54	47	55	61	81	108	121	113	165
Absorbed Power (Cooling) Low Speed	W	23	22	35	41	39	45	47	64	87	92	92	134



*All data given in the table is at 0 Pa external static pressure.

- ❶ Values are at high speed, 27 °C DB 50 % RH room conditions and 7/12 °C in/out water temperatures.
- ❷ Values are at high speed, 20 °C DB room conditions and 70/60 °C in/out temperatures.
- ❸ Values are at high speed, 20 °C DB room conditions and 90/70 °C water in/out temperatures.
- ❹ Sound pressure levels are measured at 1 mt. distance from the tested unit and Q: 1.

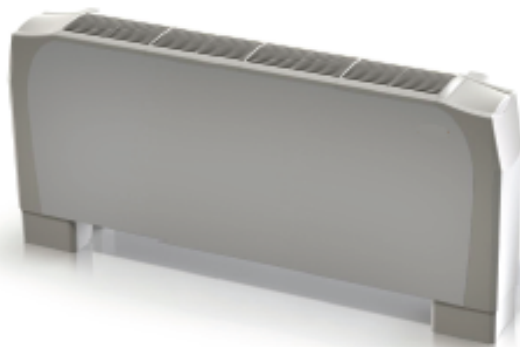


GFC Series

Cabinet Types

-  Cooling capacity: 1,46-9,88 kW
-  Heating capacity: 2,71-28,99 kW

- Ideal temperature and indoor air quality for all seasons
- Wide and versatile production options
- Advanced electronic control options
- Low energy consumption and high comfort
- Outstanding reliability and high quality



Structural features

- Produced from high zinc ratio corrosion resistant galvanized sheet and painted cabinet sheet with different color options.
- High energy efficient and silent radial fans (230V-1ph-50Hz)
- Easy access for service and cleaning due to mesh filters
- Specially designed waterproof terminal box are used for electrical connections.
- Coils are produced from high efficient, seamless copper pipe and aluminum fins. Each coil is installed in factory after test at 20 bar pressure.
- Special drip pan is used underneath the coil that prevents air leak and allows the transfer of condensed water into the drain pan.
- Drain pan is enameled with high protection specification and self-insulated.
- Additional drip pan, made up of ABS material, are used in order to prevent dripping at the coil and valve connection.



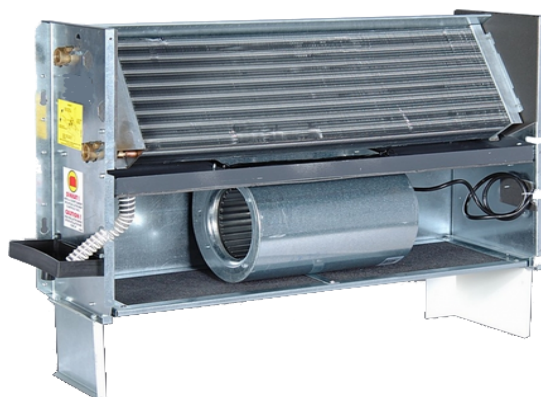
- 2B : 2-Pipe
- 4B : 4-Pipe

Options / Accessories

- Additional heating coil for 4-Pipe systems
- 2-way valves and actuators (Supplied loose)
- 3-way valves and actuators (Supplied loose)
- Room thermostat
- Digital room thermostat

Types

- AE : Cabinet floor type, bottom inlet and top supply (Feet are optional)
- AT : Cabinet floor type, front inlet and top supply
- AD : Floor type without cabinet, bottom inlet and top supply



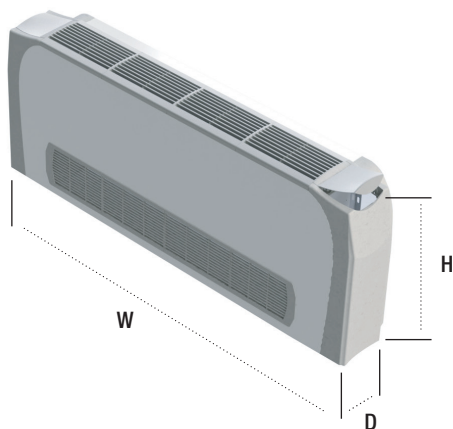
GFC Series		AE - AT - AD TYPES 2-PIPE											
		2	015	020	025	030	035	040	050	060	070	080	100
Technical Specifications													
❶ Total Cooling Capacity	kW	1,47	1,97	2,41	2,91	3,72	4,24	5,17	5,04	6,41	7,54	8,56	9,88
❶ Sensible Cooling Capacity	kW	1,21	1,40	1,73	2,23	2,63	3,04	3,56	3,68	4,49	5,36	5,95	6,94
❷ Heating Capacity	kW	3,65	4,18	5,25	6,72	8,04	9,23	10,37	11,68	13,50	16,06	18,23	20,78
❷ Heating Capacity	kW	4,86	5,66	7,07	8,98	10,88	12,45	14,09	15,72	18,30	21,69	24,71	28,09
Airflow (High Speed)	m³/h	363	356	470	686	667	828	862	1.150	1.102	1.405	1.534	1.808
Airflow (Medium Speed)	m³/h	285	269	370	545	527	686	682	961	868	1.156	1.242	1.499
Airflow (Low Speed)	m³/h	183	172	214	362	350	412	456	532	573	747	848	1.028
Dimensions													
Height (H)	mm	545	545	545	545	545	545	545	545	545	545	545	545
Width (W)	mm	850	850	850	1.110	1.110	1.110	1.370	1.370	1.630	1.630	1.890	1.890
Depth (D)	mm	231	231	231	231	231	231	231	231	231	231	231	231
Weight	kg	20,6	21,2	21,2	26,9	27,8	28,8	31,7	33,4	41,5	42,5	50,6	52,9
Fluid Data													
❶ Water Flowrate (Cooling)	l/h	257	344	421	508	647	738	897	881	1.114	1.314	1.493	1.719
❶ Water Side Pressure Drop	kPa	4,0	10,9	15,8	20,1	15,6	20,2	35,6	10,8	17,3	23,6	34,8	44,1
❷ Water Flowrate (Heating)	l/h	319	365	457	586	702	806	906	1.019	1.179	1.401	1.591	1.814
❷ Water Side Pressure Drop	kPa	5,3	10,4	15,9	21,8	14,9	19,9	30,0	14,1	15,8	22,2	31,5	40,2
Water Content	l	0,86	1,19	1,19	1,22	1,73	1,73	2,28	2,28	2,83	2,83	3,37	3,37
❸ Sound Level													
Sound Pressure Level (High)	dBA	36	36	42	40	40	46	42	44	45	47	49	48
Sound Pressure Level (Med)	dBA	32	32	38	36	35	43	37	39	39	42	43	42
Sound Pressure Level (Low)	dBA	19	23	27	29	29	32	30	30	30	32	32	32
Installation Data													
Coil In/Out Diameter	inch	3/4	3/4	3/4	3/4	3/4	3/4	3/4	3/4	3/4	3/4	3/4	3/4
Drain Pipe Diameter	mm	20	20	20	20	20	20	20	20	20	20	20	20
Absorbed Power													
Absorbed Power (Cooling) High Speed	W	30	32	55	61	60	73	70	123	96	138	160	162
Absorbed Power (Cooling) High Speed	W	27	29	45	55	55	68	57	112	81	119	124	147
Absorbed Power (Cooling) Low Speed	W	23	25	34	46	46	59	45	86	64	93	96	117

❶ Values are at high speed, 27 °C DB 50 % RH room conditions and 7/12 °C in/out water temperatures.

❷ Values are at high speed, 20 °C DB room conditions and 70/60 °C in/out temperatures.

❸ Values are at high speed, 20 °C DB room conditions and 90/70 °C water in/out temperatures.

❹ Sound pressure levels are measured at 1 mt. distance from the tested unit and Q:1.



GFC SERIES	AE - AT- AD TYPES 4-PIPE												
	4	015	020	025	030	035	040	050	060	070	080	100	110
Technical Specifications													
❶ Total Cooling Capacity	kW	1,32	1,94	2,35	2,82	3,61	4,15	5,03	5,25	6,37	7,30	8,41	9,59
❶ Sensible Cooling Capacity	kW	1,09	1,37	1,69	2,15	2,54	2,96	3,45	3,83	4,47	5,17	5,84	6,72
❷ Additional Coil Heating Capacity	kW	1,85	1,95	2,33	3,71	3,67	4,10	4,90	5,92	6,24	7,21	8,26	9,21
❷ Additional Coil Heating Capacity	kW	2,41	2,54	3,03	4,87	4,81	5,37	6,47	7,78	8,18	9,42	10,85	12,08
Airflow (High Speed)	m³/h	358	347	456	654	640	789	830	1.093	1.109	1.349	1.467	1.733
Airflow (Medium Speed)	m³/h	274	260	364	517	505	661	657	942	833	1.120	1.208	1.440
Airflow (Low Speed)	m³/h	174	165	208	343	336	398	443	506	549	723	821	969
Dimensions													
Height (H)	mm	545	545	545	545	545	545	545	545	545	545	545	545
Width (W)	mm	850	850	850	1.110	1.110	1.110	1.370	1.370	1.630	1.630	1.890	1.890
Depth (D)	mm	231	231	231	231	231	231	231	231	231	231	231	231
Weight	kg	23,2	23,8	23,8	30,3	31,2	32,2	36,0	37,7	46,6	47,6	56,5	58,8
Fluid Data													
❶ Water Flowrate (Cooling)	l/h	232	337	412	493	627	722	873	917	1.107	1.276	1.462	1.668
❶ Water Side Pressure Drop	kPa	3,6	10,5	15,2	19,0	14,7	19,2	33,9	10,9	17,2	22,4	33,2	41,8
❷ Water Flowrate (Heating)	l/h	160	169	201	322	318	355	425	511	541	621	715	797
❷ Water Side Pressure Drop	kPa	4,6	4,7	6,5	20,1	19,6	24,3	42,0	58,1	13,0	18,5	24,3	29,4
Water Content (Cooling)	l	0,86	1,19	1,19	1,22	1,73	1,73	2,28	2,28	2,83	2,83	3,37	3,37
Water Content (Heating)	l	0,35	0,35	0,35	0,50	0,50	0,50	0,64	0,64	0,79	0,79	0,93	0,93
❸ Sound Level													
Sound Pressure Level (High)	dB(A)	36	36	42	40	40	46	42	44	45	47	49	48
Sound Pressure Level (Med)	dB(A)	32	32	38	36	36	43	37	39	39	42	43	42
Sound Pressure Level (Low)	dB(A)	19	23	27	29	29	32	30	30	30	32	32	32
Installation Data													
Coil In/Out Diameter (Cooling Coil)	inch	3/4	3/4	3/4	3/4	3/4	3/4	3/4	3/4	3/4	3/4	3/4	3/4
Coil In/Out Diameter (Additional Heating Coil)	inch	1/2	1/2	1/2	1/2	1/2	1/2	1/2	1/2	1/2	1/2	1/2	1/2
Drain Pipe Diameter	mm	20	20	20	20	20	20	20	20	20	20	20	20
Absorbed Power													
Absorbed Power (Cooling) High Speed	W	34	31	54	60	59	71	68	110	94	160	129	156
Absorbed Power (Cooling) High Speed	W	30	28	44	54	54	66	56	100	79	137	99	142
Absorbed Power (Cooling) Low Speed	W	26	24	33	45	45	58	44	77	62	107	76	111

- ❶ Values are at high speed; 27 °C DB 50 % RH room conditions and 7/12 °C in/out water temperatures.
- ❷ Values are at high speed, 20 °C DB room conditions and 70/60 °C in/out temperatures.
- ❸ Values are at high speed, 20 °C DB room conditions and 90/70 °C water in/out temperatures.
- ❹ Sound pressure levels are measured at 1 mt. distance from the tested unit and Q: 1.

