**DESCRIPTION:**

Weather-resistant louvers give good protection against the direct ingress of rain, leaves and birds. Because of their design, they cannot prevent the entry of slight quantities of water under certain conditions.

**CONSTRUCTION:**

Standard Material Aluminum Optional: .304-316 Stainless Steel

**APPLICATION:**

- Maximum width of 1200 mm, maximum height of 1200 mm
- Low differential pressure due to aerofoil blades
- Low air-regenerated noise
- Available in standard sizes and many intermediate sizes

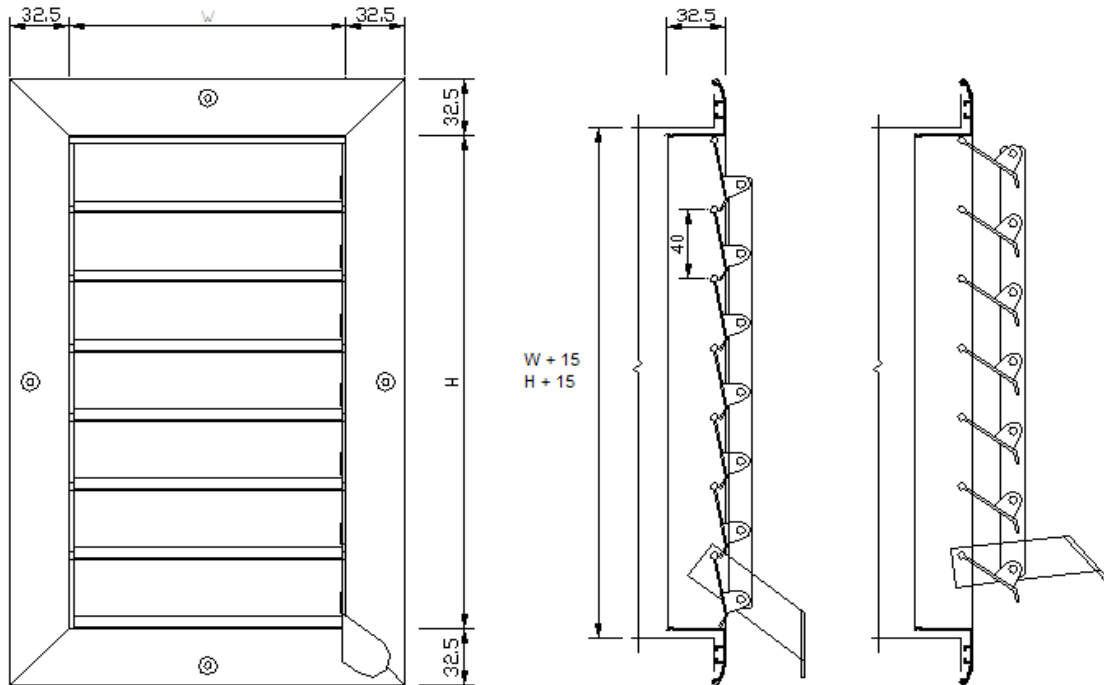
**ACCESSORIES:**

- Bird and insect screens
- Filters
- Dampers

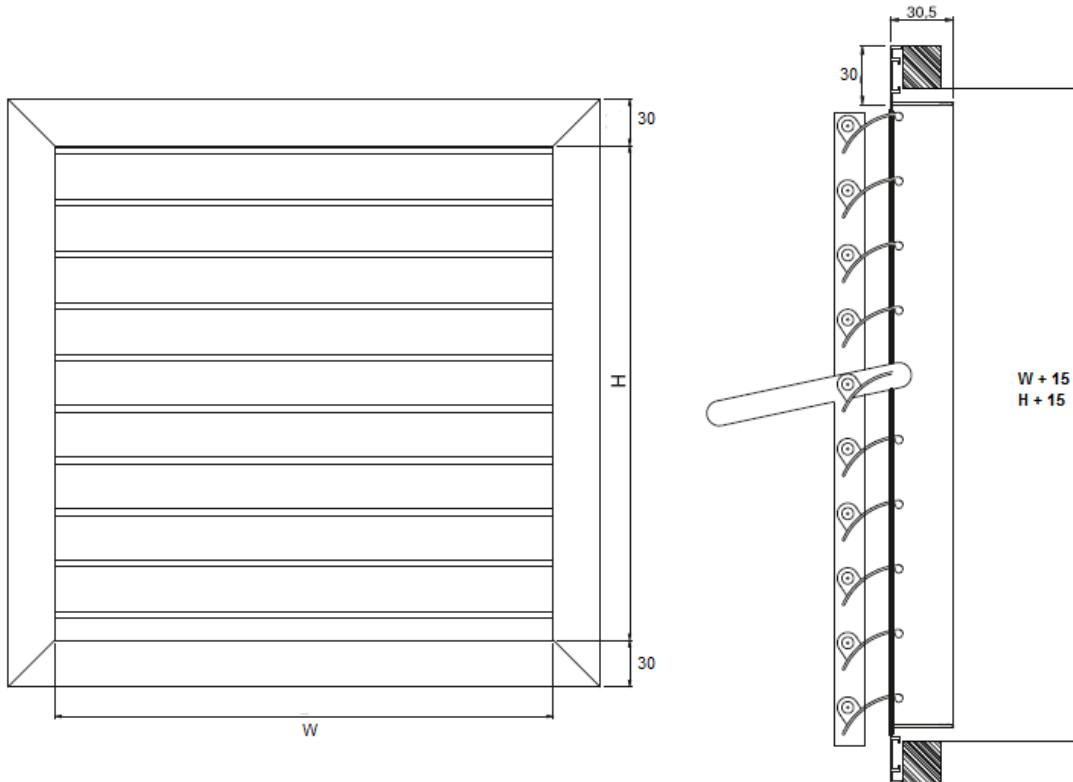


STANDARD DIMENSIONS (mm):

EXL162

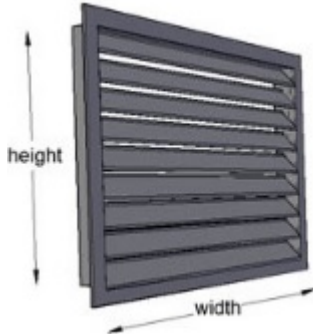


EXL262





**EXL162-262 AVAILABLE SIZE**



AVAILABLE SIZES (mm) - Always width x height										
	WIDHT									
HEIGHT	100	150	200	300	400	500	600	800	1000	1200
100	X	X	X	X	X	X	X	X	X	X
150	X	X	X	X	X	X	X	X	X	X
200	X	X	X	X	X	X	X	X	X	X
250	X	X	X	X	X	X	X	X	X	X
300	X	X	X	X	X	X	X	X	X	X
350	X	X	X	X	X	X	X	X	X	X
400	X	X	X	X	X	X	X	X	X	X
450	X	X	X	X	X	X	X	X	X	X
500	X	X	X	X	X	X	X	X	X	X
600	X	X	X	X	X	X	X	X	X	X
800	X	X	X	X	X	X	X	X	X	X
1000	X	X	X	X	X	X	X	X	X	X
1200	X	X	X	X	X	X	X	X	X	X



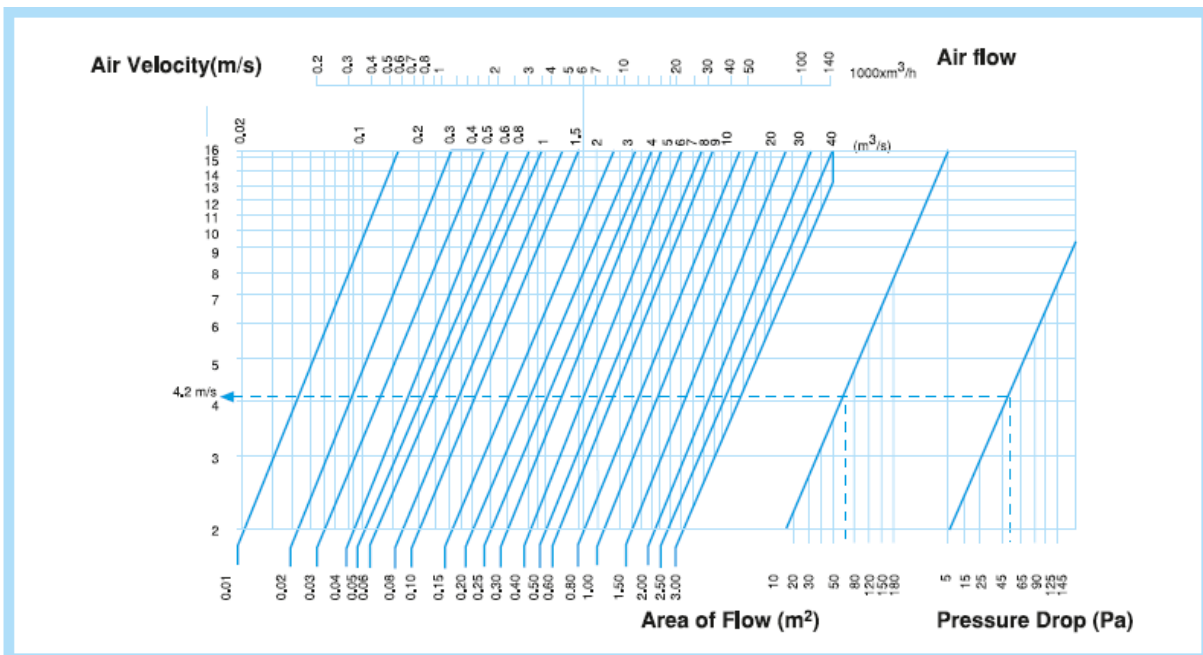
**PERFORMANCE DATA**

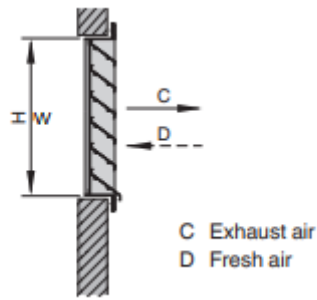
Standard sizes-Effective area(m<sup>2</sup>)

H mm	W (mm)						
	200	300	400	500	600	800	1000
200	0,025	0,038	0,05	0,07	0,08	0,11	0,13
300	0,042	0,07	0,09	0,11	0,14	0,19	0,23
400	0,06	0,09	0,13	0,16	0,2	0,26	0,33
500	0,08	0,12	0,17	0,21	0,25	0,34	0,43
600	0,1	0,15	0,2	0,26	0,31	0,42	0,53
800	0,13	0,21	0,28	0,35	0,43	0,57	0,73
1000	0,17	0,26	0,35	0,45	0,54	0,73	0,93

Air volume m<sup>3</sup>/h

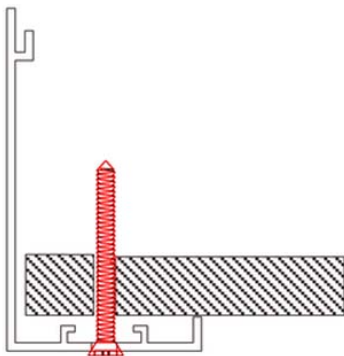
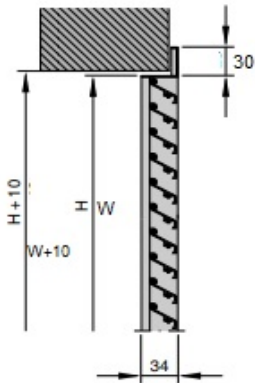
H mm	W (mm)						
	200	300	400	500	600	800	1000
200	270	410	540	756	864	1188	1404
300	454	756	972	1188	1512	2052	2484
400	648	972	1404	1728	2160	2808	3564
500	864	1296	1836	2268	2700	3672	4644
600	1080	1620	2160	2808	3348	4536	5724
800	1404	2268	3024	3780	4644	6156	7884
1000	1836	2808	3780	4860	5832	7884	10044





### INSTALLATION DETAILS

#### Screw Mounting





**ORDER CODE**

HL-162	F22	00	RAL9010	SM	N 400X300
HL-162: Z-Bladed HL-262: Curv.-Bladed				N: Neck Size F : Frame Size	
F22: Frame=22 mm F32: Frame=32,5 mm				00: No Mounting SM: Screw Mounting	
00: No Wire Screen 01: Wire Screen Added				00: No coating EX: Eloxal Paint Coating RAL----: Oven Drying Paint Coating	