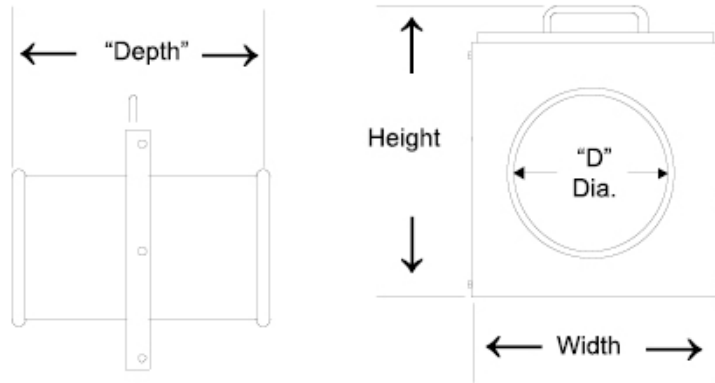




# MODEL BG

Project:
Tag:
Engineer:
Contractor:
Date:

## BLAST GATE



Ø	GALV. WIDTH	GALV. HEIGHT	GALV. DEPTH
3"	5.25	7.00	5.375
4"	6.12	6.25	5.375
5"	7.00	10.00	5
6"	8.00	11.12	5
7"	9.37	12.00	5
8"	11.00	13.25	5
9"	11.37	14.37	5
10"	13.50	16.25	5
12"	15.75	17.87	5
14"	18.00	28.50	5
16"	18.00	28.50	5

As part of our continuous improvement program, we reserve the right to make further improvements without notice.

Date submitted: