

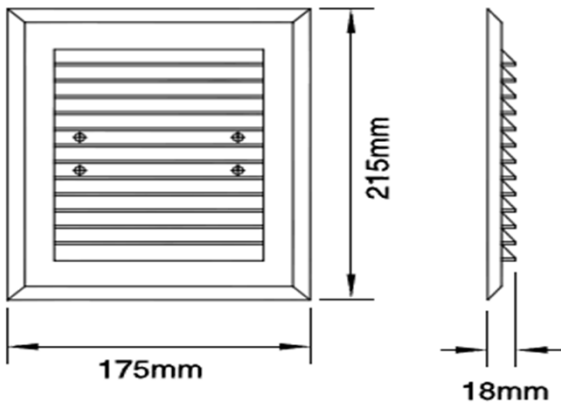


SUBMITAL AND DRAWING  
MODEL-PDP

PROJECT : .....  
ENGINEER : .....  
CONTRACTOR : .....  
SUBMITTED BY : .....  
DATE : .....

REGISTER&GRILLES

Vertical Flat Louvers



Horizontal Flat Louvers

